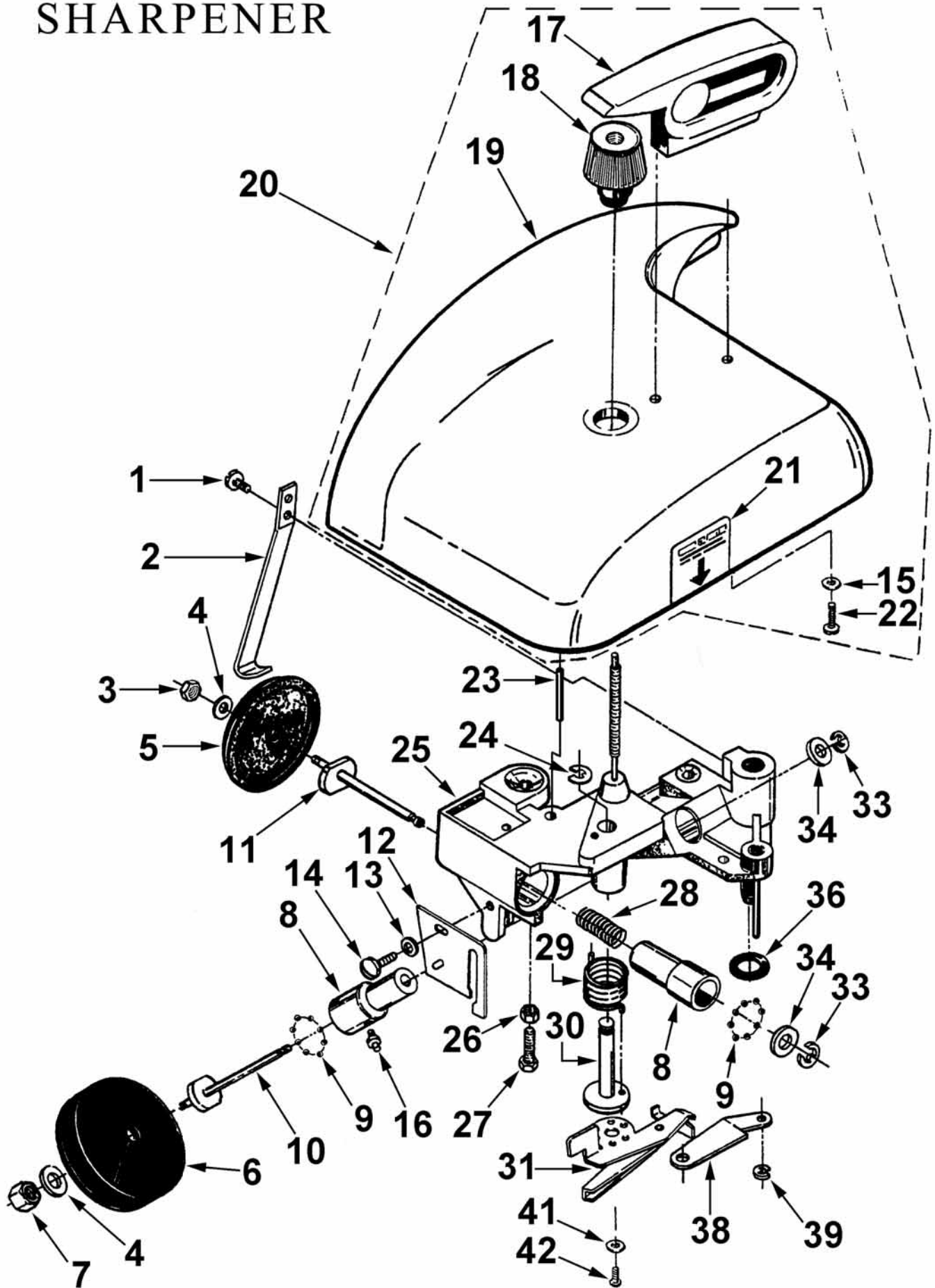


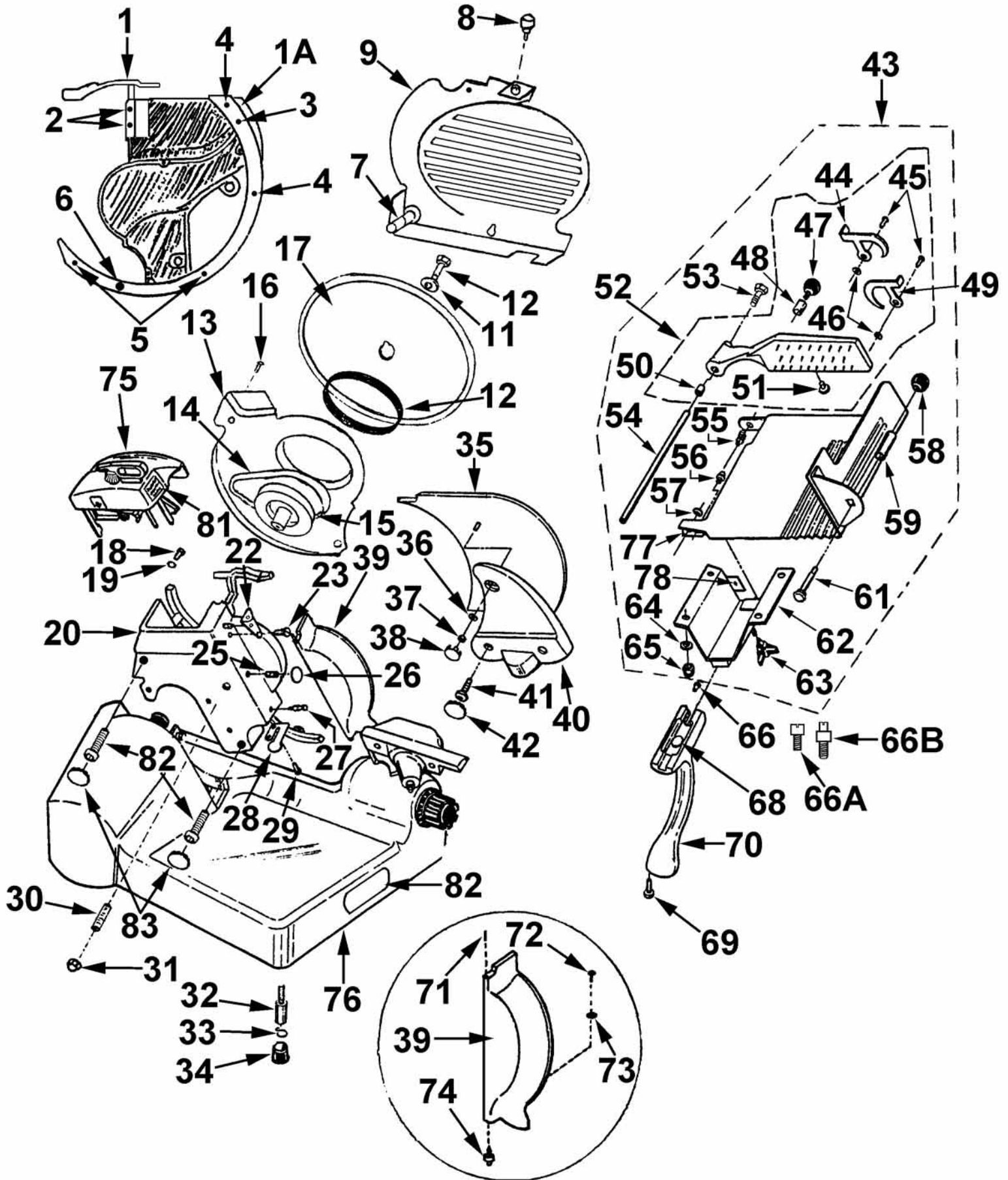
SHARPENER



Sharpener Assembly Parts List

| Item | Description | Part Number |
|---|--|-------------|
| | | |
| N/S | sharpener assy. w/o cover | 4675-00851 |
| | sharpener assy. w/ cover assy. no upper guard | 4675-00853 |
| | **sharpener assy. w/ cover assy. & upper guard | 4975-00409 |
| 1 | screw | 2175-00382 |
| 2 | stop clip | 3475-00792 |
| 3 | nut | 2175-00387 |
| 4 | washer | 2275-03040 |
| 5 | inside stone (deburring) | 3675-00075 |
| 6 | outside stone (sharpening) | 3675-00076 |
| 7 | nut (LH) | 2175-00388 |
| 8 | spindle bearing | 3375-01123 |
| 9 | ball | 2375-00150 |
| 10 | outside spindle (sharpening) | 3375-01119 |
| 11 | inside spindle (deburring) | 3375-01118 |
| 12 | adjusting plate | 3475-00789 |
| 13 | washer | 2275-03040 |
| 14 | screw | 2175-00384 |
| 15 | washer | 2275-01037 |
| 16 | link screw | 3375-01121 |
| 17 | handle w/ decal | 4575-00832 |
| 18 | knob, alum (lockdown nut) | 3375-01101 |
| 19 | cover only | 3775-00389 |
| | **cover only with upper guard | 4975-00407 |
| 20 | cover assy. | 4675-00852 |
| | **cover assy. with upper guard | 4975-00408 |
| 21 | arrow decal | 3175-00028 |
| 22 | screw | 2175-00397 |
| 23 | groove pin | 2275-00220 |
| 24 | retaining ring | 2275-00445 |
| 25 | sharpener frame | 3675-00236 |
| 26 | nut | 2175-00386 |
| 27 | bolt | 2175-00385 |
| 28 | spring | 3275-00210 |
| 29 | spring | 3275-00212 |
| 30 | spindle | 3375-01120 |
| 31 | lever assy. w/ spring | 4375-00200 |
| 33 | retaining ring | 2275-00444 |
| 34 | washer | 2275-00451 |
| 36 | washer (rubber) | 3275-00042 |
| 38 | link | 3475-00791 |
| 39 | retaining ring | 2275-00443 |
| 41 | washer | 2275-00441 |
| 42 | screw | 2175-00382 |
| N/S | sharpener maint. kit | 4975-00375 |
| ** kit to upgrade to 909/1 & 919/1 "T" shaped upper knife guard | | |

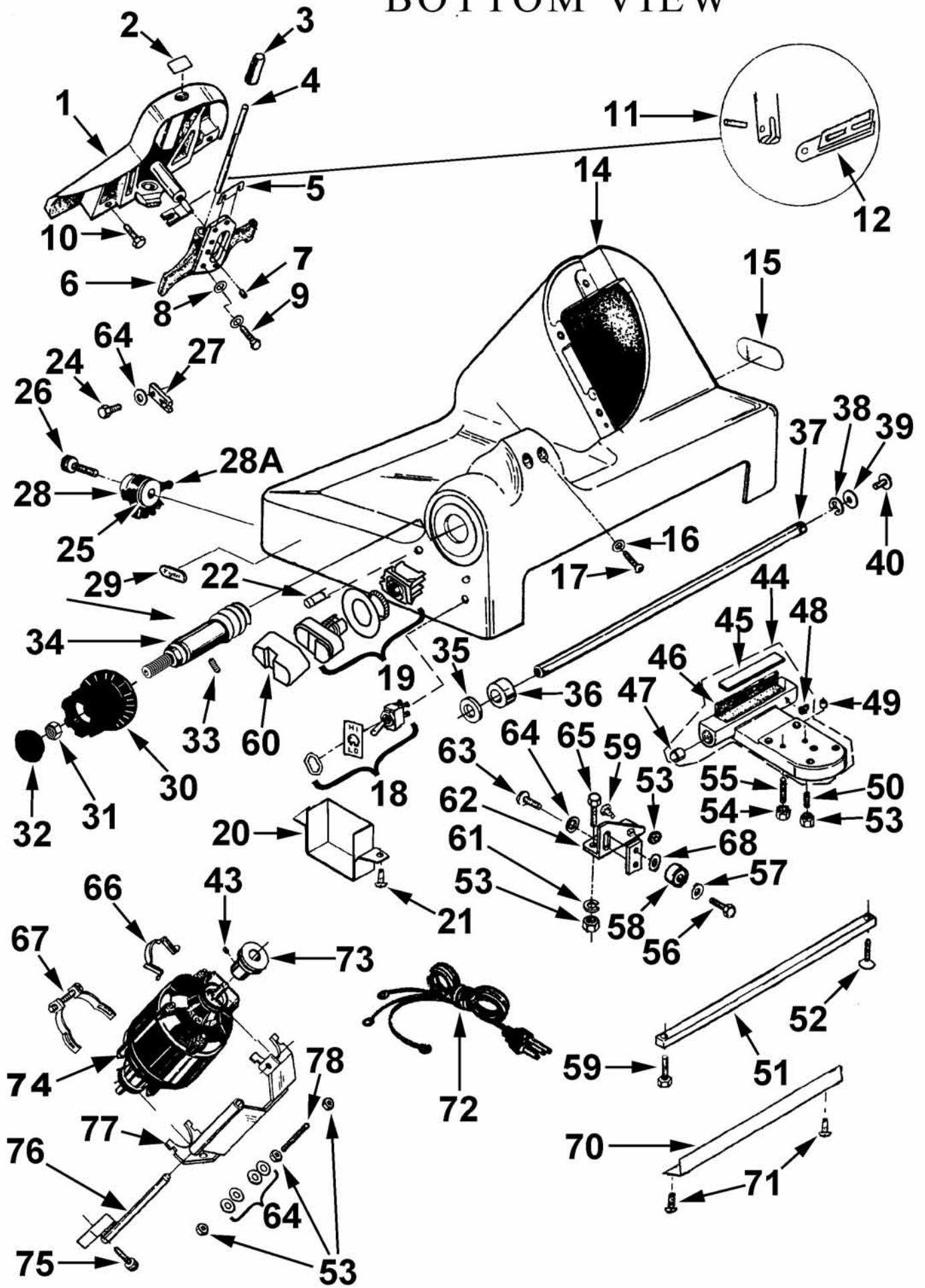
TOP VIEW



TOP VIEW

| Item | Description | Part Number | Item | Description | Part Number | |
|------|--------------------------------|-------------|------|-----------------------------------|-----------------------------------|------------|
| 1 | upper guard(909/1 "T" shaped) | 3775-00442 | 42 | hole cover (small) | 3675-00072 | |
| | upper guard (909 "L" shaped) | 3775-00443 | 43 | product table complete | 4675-00915 | |
| | screw, adjustment (not shown) | 2175-03320 | | table complete w/ ergo handle | 4675-00916 | |
| 1A | lower guard | 3775-00441 | 44 | hook (LH) | 3475-00164 | |
| | lower guard, assy. (1, 3 & 6) | 4575-00831 | 45 | screw | 3375-00333 | |
| 2 | screw, tamper proof | 2175-00374 | 46 | spring washer | 3275-00043 | |
| 3 | pin center plate | 3375-01077 | 47 | knob | 2275-00043 | |
| 4 | pad upper, old style only | 3875-00140 | 48 | spacer | 3375-00244 | |
| 5 | pad lower, old style only | 3875-00139 | N/S | handle, pusher 2lbs. | 3375-01065 | |
| 6 | post center plate | 3375-01073 | | | set screw, 3/8-16 X 3/4 for above | 2175-07175 |
| 7 | magnet assy. | 4175-00436 | 49 | hook (RH) | 3475-00163 | |
| 8 | plunger center plate, assy. | 2375-00139 | 50 | bushing | 2275-00045 | |
| 9 | center plate assy. (w/ 7 & 8) | 4675-00823 | 51 | pad, wear | 3875-00123 | |
| 10 | knife bolt, 7/16-20 X 5/8 | 3375-01072 | 52 | pusher assy. Complete | 4675-00662 | |
| 11 | knife washer | 3475-00781 | 53 | truss head screw | 2175-03452 | |
| 12 | cover ring | 3875-00025 | 54 | shaft | 3375-00242 | |
| 13 | knife box cover | 3475-00765 | 55 | compression spring | 3275-00029 | |
| 14 | knife belt (flat, 60 Hz) | 2375-00141 | 56 | lock pin (plastic, push on) | 3875-00022 | |
| | knife belt (flat, 50 Hz) | 3375-00142 | | | guide, pusher (metal screw on) | 3375-01149 |
| 15 | knife pulley bearing assy. | 4375-00192 | | | screw for above | 2175-03441 |
| 16 | screw knife box cover | 2175-03452 | | | washer, for above | 3275-00111 |
| 17 | knife, SS | 3675-00070 | 57 | s/s washer | 2275-00438 | |
| | knife, Silver Standard | 3675-00275 | 58 | knob | 2275-00042 | |
| 18 | knife box bolts | 2175-03063 | N/S | ergonomic handle | 3875-00148 | |
| 19 | knife box washers | 2275-03065 | N/S | ergonomic handle bracket | 3475-00811 | |
| 20 | knife box assy. | 4675-00856 | N/S | screw, drive in for bracket above | 2275-00066 | |
| 21 | pin upper hinge | 2275-01122 | N/S | ergonomic handle & bracket | 4575-00836 | |
| 22 | upper hinge | 3475-00156 | N/S | ergonomic handle kit | 4975-00360 | |
| 23 | screw upper hinge | 2175-03641 | 59 | spacer | 3375-00243 | |
| 25 | set screw | 2175-07152 | 60 | product table | 4575-00847 | |
| 26 | cover plate | 3475-00162 | | | product table for ergo handle | 4575-00848 |
| 27 | pin | 3375-00291 | 61 | bolt 3/8 x 1/2 | 2175-03277 | |
| 28 | lower hinge | 3475-00363 | 62 | bracket, w/ storage pin | 4675-00962 | |
| 29 | screw #10 x 3/8 | 2175-03441 | 63 | knob | 2275-00063 | |
| 30 | setscrew | 2175-05154 | 64 | washer | 2275-03050 | |
| 31 | acorn nut | 2175-07052 | 65 | cap nut | 2175-07052 | |
| 32 | shoe post 909 | 4575-00208 | 66 | plug (old style) | 3375-00309 | |
| | shoe post 919 | 4575-00117 | | | setscrew (old style) | 2175-05143 |
| | 4" shoe post 909 | 4575-00307 | 66A | pin, table adjustment | 3375-01182 | |
| | 4" shoe post 919 | 4575-00178 | 66B | pin, table adjustment | 3375-01147 | |
| | 4" set of 4 posts 909 | 4975-00024 | 68 | plug | 3475-00080 | |
| | 4" set of 4 posts 919 | 4975-00025 | 69 | screw socket HD | 2175-01765 | |
| | lift kit shoe post | 4575-00823 | 70 | support arm | 4975-00371 | |
| 33 | foot post hook | 3275-00059 | 71 | upper pin | 2275-00065 | |
| 34 | shoe rubber | 3675-00061 | 72 | rivot | 2275-00066 | |
| 35 | gauge plate | 4575-00808 | 73 | washer | 2275-03020 | |
| N/S | gauge plate assembly | 4675-00822 | 74 | lower pin | 3375-00311 | |
| 36 | washer 1/4 | 2275-03050 | 75 | sharpener w/ cover & guard | 4975-00409 | |
| 37 | nut 1/4 | 2175-05051 | 76 | base | 3775-00365 | |
| 38 | hole cover (large) | 3675-00071 | 77 | bracket pusher | 3475-00132 | |
| 39 | slice deflector, gray plastic | 3875-00138 | 78 | clip lock pin (old style) | 2175-00435 | |
| | slice deflector, black plastic | 3875-00134 | 79 | pin, pusher storage | 2175-00435 | |
| | thumb screws for above | 2275-00221 | 80 | bracket knob | 3475-00133 | |
| 40 | gauge plate support | 3775-00147 | N/S | ergonomic handle bracket | 3475-00811 | |
| 41 | screw 5/16 x 1 | 2175-01764 | 81 | instruction label 919 | 3175-00572 | |
| | | | 82 | logo, Berkel | 3175-00152 | |

BOTTOM VIEW

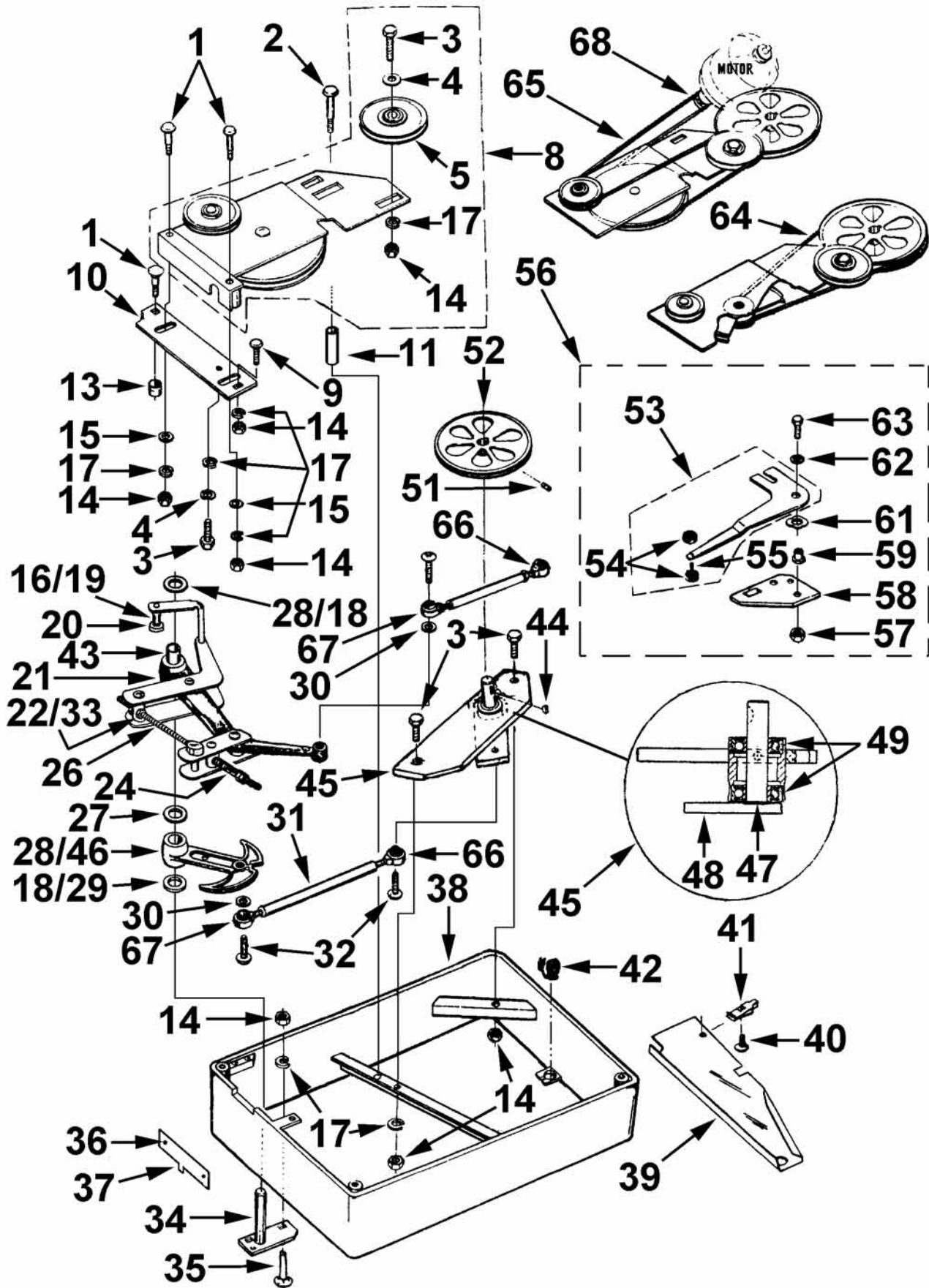


BOTTOM VIEW

| Item | Description | Part Number |
|------------------|--------------------------------|-------------|
| 1 | gauge plate support | 4675-00821 |
| 2 | slide rod plate | 3475-00162 |
| 3 | bushing | 2275-00058 |
| 4 | slide rod | 3375-00296 |
| 5 | shim | 3275-00044 |
| 6 | base gauge plate | 3775-00146 |
| 7 | set screw | 2175-05155 |
| 8 | lock washer | 2275-03050 |
| 9 | screw 1/4 x 1-1/4 | 2175-01054 |
| 10 | screw 1/4 x 1 | 2175-00097 |
| 11 | pin | 2275-01131 |
| 12 | index link | 4575-00101 |
| 13 | housing | 3775-00365 |
| 14 | instruction label | 3175-00543 |
| 15 | name plate | 3175-00152 |
| 16 | washer | 2275-03050 |
| 17 | screw 1/4-20 x 1-1/4 | 2175-03858 |
| 18 | toggle switch assy., DPTT | 2675-00680 |
| 19 | pushbutton (oval) | 2675-00801 |
| | shim (lg. Washer) | 09175-30 |
| | ring, mounting (lg. Nut) | 2175-00434 |
| | latch/contact block (oval) | 2675-00800 |
| | pushbutton kit (4 items above) | 4975-00404 |
| | pushbutton & boot (oval) | 4175-00575 |
| | boot (oval) | 3675-00259 |
| | pushbutton (rectangle) | 2675-00653 |
| | base/contact block (rectangle) | 2675-00665 |
| boot (rectangle) | 3675-00232 | |
| 20 | switch box cover | 3875-00137 |
| 21 | switch box cover screw | 2175-00375 |
| 22 | pilot light | 2675-00669 |
| 23 | lock washer 5/16 | 2275-01055 |
| 24 | bolt 5/16 x 1/2 | 2175-01060 |
| 25 | bushing | 3375-01070 |
| 26 | screw 3/8 x 1-1/4 | 2175-01775 |
| 27 | clamp, index link | 3375-00298 |
| 28 | gear segment assy. | 4375-00196 |
| | gear segment, 25 & 28 | 4975-09280 |
| 28A | gear segment pin | 3375-01102 |
| 29 | name plate | 3175-00152 |
| 30 | index knob | 3875-00151 |
| | index knob kit, 30 & 32 | 4975-09506 |
| 31 | nut 1/2" | 2175-00121 |
| 32 | plug 1-1/4 | 2275-00414 |
| 33 | setscrew | 2175-05163 |
| 34 | worm gear assembly | 4675-00336 |
| 35 | rubber washer | 3275-00045 |
| 36 | rubber bumper | 3275-00046 |
| 37 | round rail | 3375-00091 |

| Item | Description | Part Number |
|------|-----------------------------------|-------------|
| 38 | snap ring | 2275-00092 |
| 39 | washer | 3275-00047 |
| 40 | screw #10 x 1/2 | 2175-03442 |
| 41 | spring | 3275-00061 |
| 42 | spring hook | 3275-00060 |
| 43 | setscrew | 2175-05152 |
| 44 | carriage assembly | 4675-00473 |
| 45 | carriage cover | 3475-00169 |
| 46 | oil wick | 3275-00035 |
| 47 | bushing 7/8 | 2275-00053 |
| 48 | oil hole cover | 2475-00003 |
| 49 | plug | 3375-00336 |
| 50 | setscrew | 2175-00381 |
| 51 | rail, square | 3375-00305 |
| 52 | flat HD screw 4/15 x 1-1/4 | 2175-01665 |
| 53 | nut 5/16 | 2175-05060 |
| 54 | nut, locking #10 | 2175-00107 |
| 55 | setscrew FP #10 (adjustment) | 2175-00106 |
| 57 | washer | 2275-00091 |
| 58 | roller bearing assembly | 4375-00031 |
| 59 | bolt 5/16 x 1-1/4 | 2175-01065 |
| 60 | switch boot (rectangle) | 3675-00232 |
| | switch boot (oval) | 3675-00259 |
| 61 | lockwasher | 2275-03065 |
| 62 | bracket | 3375-00304 |
| 63 | screw 5/16 x 1/2 | 2175-01862 |
| 64 | flat washer 5/16 | 2275-01061 |
| 65 | bolt 5/16 x 7/8 | 2175-03063 |
| 66 | motor clip | 3275-00039 |
| 67 | motor clamp | 2275-00087 |
| 68 | washer | 3375-00131 |
| 69 | roller adjusting bracket | 3375-00306 |
| 70 | cord cover | 3475-00702 |
| 71 | screw (self tapping) | 2175-00105 |
| 72 | power cord NEMA-5-15P | 4175-00031 |
| | retractable power cord | 4175-00582 |
| 73 | motor pulley, 60Hz | 3375-01099 |
| | motor pulley, 50Hz | 3375-01100 |
| N/S | fan | 2375-00137 |
| N/S | cover for fan | 3875-00146 |
| 74 | motor 115V (kit, 1/3 to 1/2 H.P.) | 4975-00386 |
| | 1/2 hp motor (only)115V | 4175-00511 |
| | motor 220V 50Hz | 4175-00431 |
| 75 | bolt | 2175-01760 |
| 76 | pivot assembly motor | 4575-00097 |
| 77 | motor mount | 4575-00805 |
| 78 | thread rod | 2175-00378 |
| N/S | switch, motor starting | 4975-00349 |

POWERSTROKE



POWER STROKE

| Item | Description | Part Number |
|------|------------------------------|-------------|
| N/S | Power Stroke Complete | 4975-00368 |
| 1 | bolt 5/16 x 2 | 2175-01267 |
| 2 | bolt 5/16 x 3-1/2 | 2175-01270 |
| 3 | bolt 5/16 x 1-1/2 | 2175-01065 |
| 4 | washer | 2275-01061 |
| 5 | idler pulley | 4375-00137 |
| 8 | pulley & pulley assembly | 4675-00811 |
| 9 | bolt 5/16 x 3/4 | 2175-03062 |
| 10 | bracket | 3475-00324 |
| 11 | spacer | 3375-01088 |
| 13 | spacer | 3375-00223 |
| 14 | nut 5/16 | 2175-05060 |
| 15 | washer 5/16 flat | 2275-01060 |
| 16 | roller | 3275-00024 |
| 17 | lockwasher 5/16 | 2275-03065 |
| 18 | washer 1/2" hole | 3275-00018 |
| 19 | bushing | 3275-00023 |
| 20 | rivet | 2275-00029 |
| 21 | drive arm assembly | 4375-00188 |
| 22 | nut #10 | 2175-05040 |
| 24 | spring | 3275-00084 |
| 26 | control rod | 3375-00227 |
| 27 | washer, plastic, 7/8" hole | 3275-00032 |
| 28 | arm, w/ 46 | 4375-00193 |
| 29 | shim, plastic 1/2" hole | 3275-00128 |
| 30 | washer | 2275-00028 |
| 31 | rod & brg assy. (long) | 4375-00197 |
| 32 | screw 5/16 x 7/8" | 2175-01863 |
| 33 | shim | 09664-60 |
| 34 | plate & shaft | 4575-00075 |
| 35 | bolt 5/16 x 1-1/4 | 2175-01264 |
| 36 | drive screw | 2175-00424 |
| 37 | shift plate assy | 4575-00866 |
| | stroke plate, part of 37 | 3175-00571 |
| | shift plate, part of 37 | 3475-00835 |
| 38 | auto base | 3775-00366 |
| 39 | shield | 3475-00783 |
| N/S | cover for fan if so equipped | 3875-00146 |
| 40 | screw | 2175-03442 |

| Item | Description | Part Number |
|---|---------------------------------|-------------|
| 41 | speed nut | 2275-00123 |
| 42 | strain relief | 2675-00562 |
| 43 | bushing | 2275-00021 |
| 44 | key | 3275-00006 |
| 45 | crank assy. (complete) | 4375-00191 |
| 46 | bushing (arm) | 2275-00022 |
| 47 | washer | 3275-00010 |
| 48 | crank assembly | 4375-00189 |
| 49 | ball bearing | 2375-00010 |
| 50 | rod & brg. Assy. (short) | 4675-00840 |
| 51 | set screw 1/4 x 5/16 | 2175-05152 |
| 52 | pulley | 3775-00373 |
| 53 | shift lever assy. (complete) | 4575-00865 |
| 54 | knob (sold each, need 2) | 3875-00026 |
| 55 | pin | 2275-00051 |
| 56 | shift lever & bracket assy. | 4675-00925 |
| 57 | nut 1/4" | 2175-00265 |
| 58 | bracket | 3575-00063 |
| 59 | spacer | 3375-01151 |
| 61 | spring washer 7/16" | 3275-00025 |
| 62 | washer | 2275-00408 |
| 63 | bolt 1/4" | 2175-00210 |
| 64 | belt poly V4 | 2375-00138 |
| 65 | belt, round | 2375-00133 |
| 66 | bearing assy. L/H | 2375-00144 |
| 67 | bearing assy. R/H | 2375-00143 |
| 68 | motor pulley auto drive, 60Hz | 3375-01083 |
| | motor pulley auto drive, 50Hz | 3375-01084 |
| | motor pulley auto drive, FS | 3375-01222 |
| parts for shift lever with detent system | | |
| 53 | shift lever assy. (complete) | 4575-00314 |
| N/S | detent plate | 3475-00782 |
| | plunger assembly | 2375-00030 |
| | nut | 2175-05071 |
| 37 | indicator plate | 3175-00571 |
| N/S | spacer, long (for control rod) | 3375-00438 |
| | spacer, short (for control rod) | 3375-00439 |

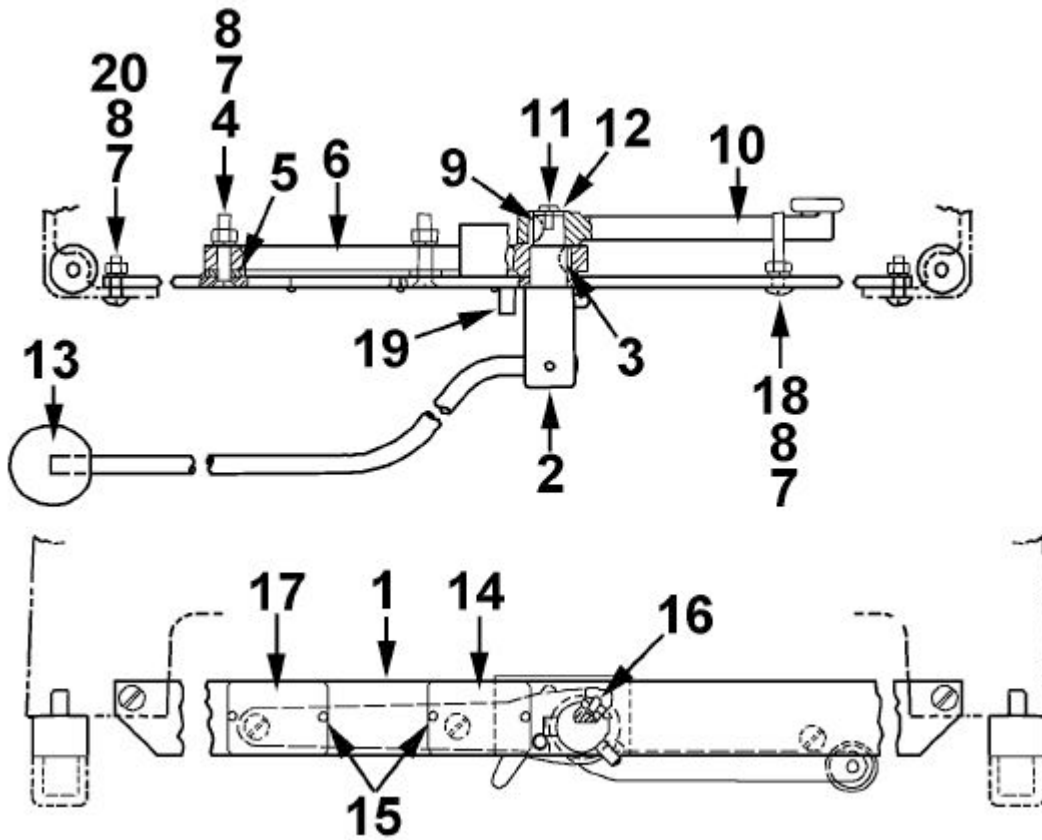
909/919 Electrical

| Item | Description | Part Number |
|------|-------------------------------|-------------|
| 1 | speed selector switch | 2675-00680 |
| 2 | speed switch cord assembly | 4175-00433 |
| 3 | motor overload wire | 2675-00660 |
| 4 | motor common wire | 2675-00661 |
| 5 | motor ground wire | 2675-00666 |
| 6 | power cord assembly | 4175-00031 |
| 7 | proximity switch | 4175-00437 |
| 8 | control cord assembly | 4175-00505 |
| 9 | relay socket assembly | 4975-00383 |
| 10 | pilot light | 2675-00669 |
| 11 | pilot light wire | 2675-00670 |
| 12 | power switch jumper | 2675-00662 |
| 13 | pushbutton contact block | 2675-00800 |
| 14 | spacer, hex #8 - 32x7/8" | 2275-00448 |
| 15 | lock washer, #8 | 2275-01037 |
| 16 | screw #8 - 32x3/8" | 2175-03431 |
| 17 | screw #6x1/2" | 2175-01322 |
| 18 | nut, hex #6 | 2175-05020 |
| 19 | relay socket bracket | 3675-00228 |
| 20 | relay 115VAC | 2675-00753 |
| | relay 220VAC | 2675-00657 |
| 21 | terminal block cover | 3675-00229 |
| N/S | schematic decal | 3175-00579 |
| 23 | motor start switch | 4975-00349 |
| 24 | relay sock.cov.w/schem. Decal | 3675-00229 |
| N/S | mercury switch | 2675-00646 |

909 Lift Assembly

4975-00348

| Item | Description | Part Number | Item | Description | Part Number |
|------|-----------------|-------------|------|-------------------|-------------|
| 1 | ratchet bracket | 4575-00824 | 11 | screw | 2175-03341 |
| 2 | handle assy. | 4575-00825 | 12 | shim | 9405-30 |
| 3 | key | 10308 | 13 | knob | 2275-00042 |
| 4 | screw | 2175-03657 | 14 | lever plate | 3175-00613 |
| 5 | spacer | 2275-00437 | 15 | drive screw | 2175-00257 |
| 6 | ratchet | 2375-00145 | 16 | set screw | 2175-05143 |
| 7 | lock washer | 2275-03055 | 17 | instruction plate | 3175-00618 |
| 8 | hex nut | 2175-07050 | 18 | screw | 2175-03457 |
| 9 | key | 3275-00006 | 19 | handle stop pin | 3375-01197 |
| 10 | lift arm assy. | 4375-00199 | | | |



919 Lift Assembly

4975-00350

| Item | Description | Part Number | Item | Description | Part Number |
|------|----------------|-------------|------|-------------------|-------------|
| 1 | ratchet cover | 3475-00787 | 11 | screw | 2175-03341 |
| 2 | handle assy. | 4575-00826 | 12 | shim | 9405-30 |
| 3 | key | 10308 | 13 | knob | 2275-00042 |
| 4 | screw | 2175-03457 | 14 | lever plate | 3175-00613 |
| 5 | spacer | 2275-00439 | 15 | drive screw | 2175-00257 |
| 6 | ratchet | 2375-00145 | 16 | set screw | 2175-05143 |
| 7 | lock washer | 2275-03055 | 17 | instruction plate | 3175-00618 |
| 8 | hex nut | 2175-07050 | 18 | | |
| 9 | key | 3275-00006 | 19 | | |
| 10 | lift arm assy. | 4375-00198 | 20 | screw | 2175-03455 |

